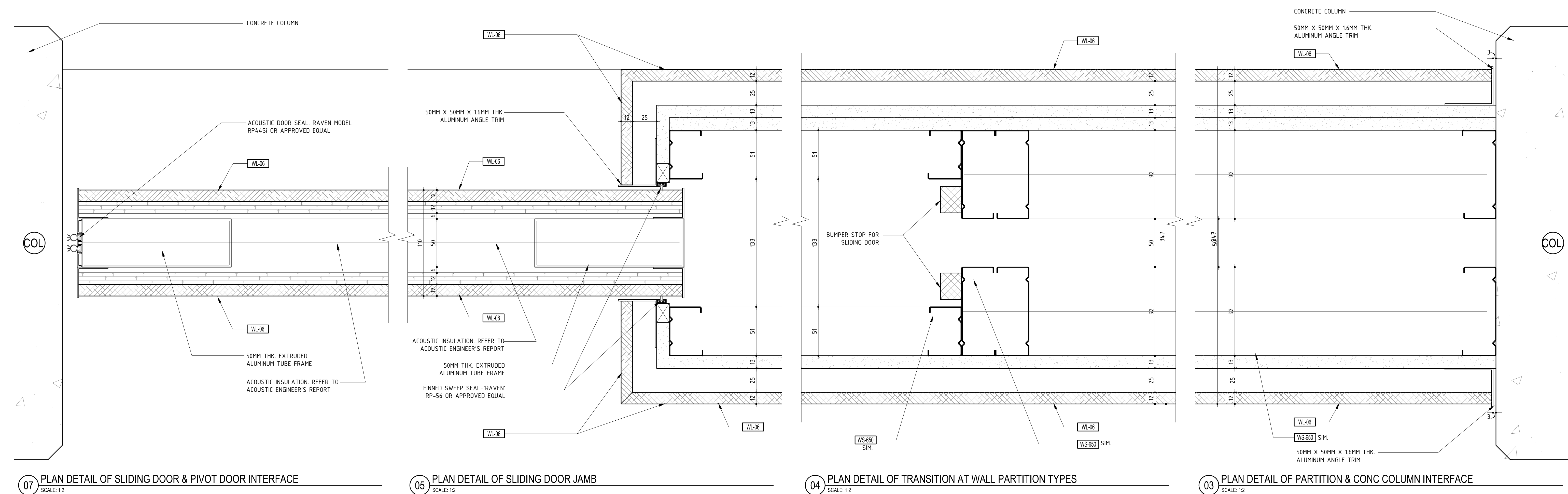
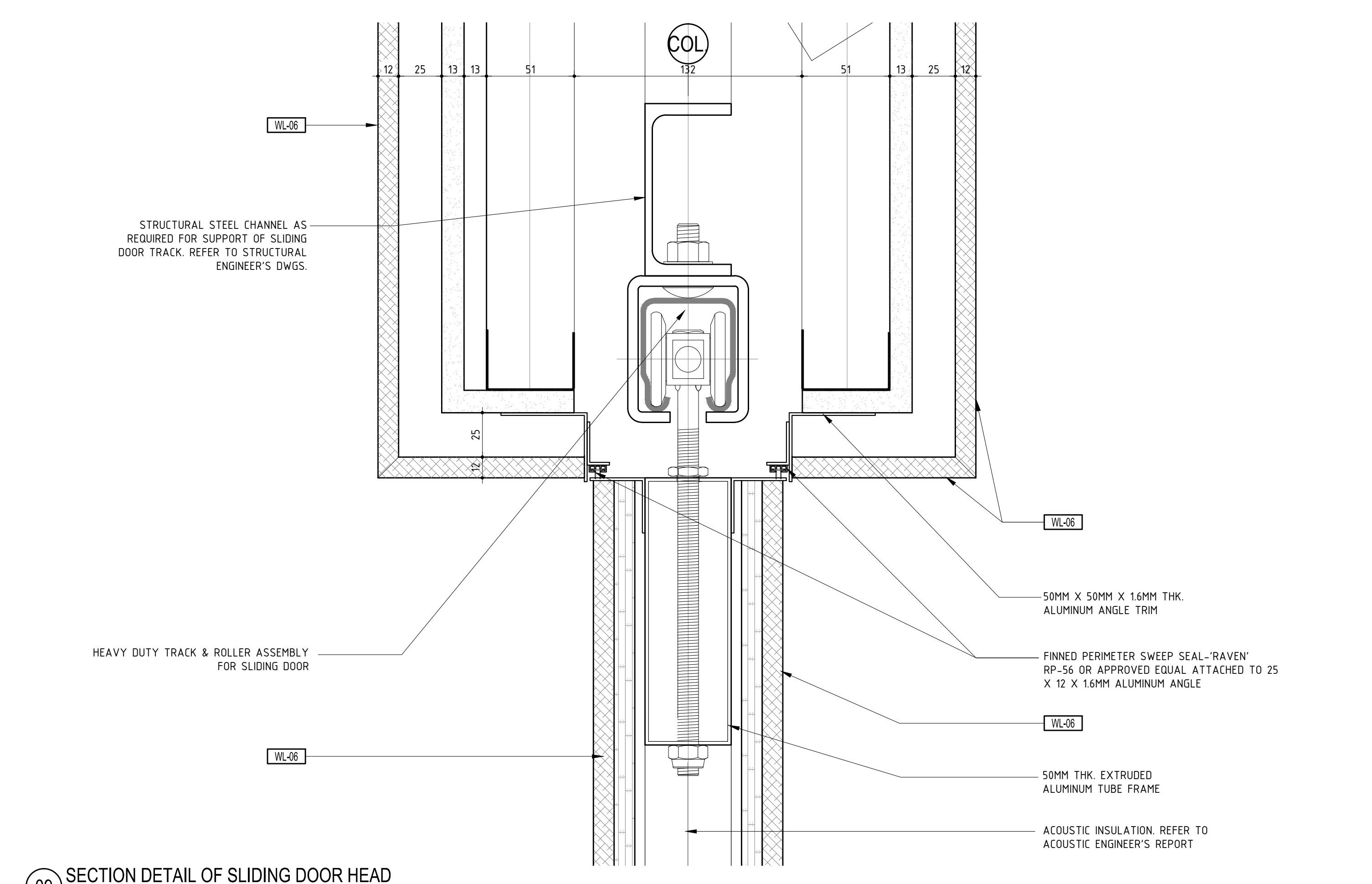


CONTRACTORS SHALL VERIFY ALL DIMENSIONS BEFORE ANY JOB COMMENCES. ALL SHOP DRAWINGS SHALL BE SUBMITTED TO THE SUPERINTENDENT AND MANUFACTURE SHALL NOT COMMENCE PRIOR TO THE RETURN OF UNMARKED SHOP DRAWINGS SIGNED BY THE CONSULTANT. FIGURED DIMENSIONS SHALL TAKE PRECEDENCE OVER SCALED THIS DRAWING SHOULD BE READ IN CONJUNCTION WITH ALL RELEVANT CONTRACT SPECIFICATIONS AND DRAWINGS COPYRIGHT OF THIS DRAWING IS VESTED IN WARDLE

General Notes



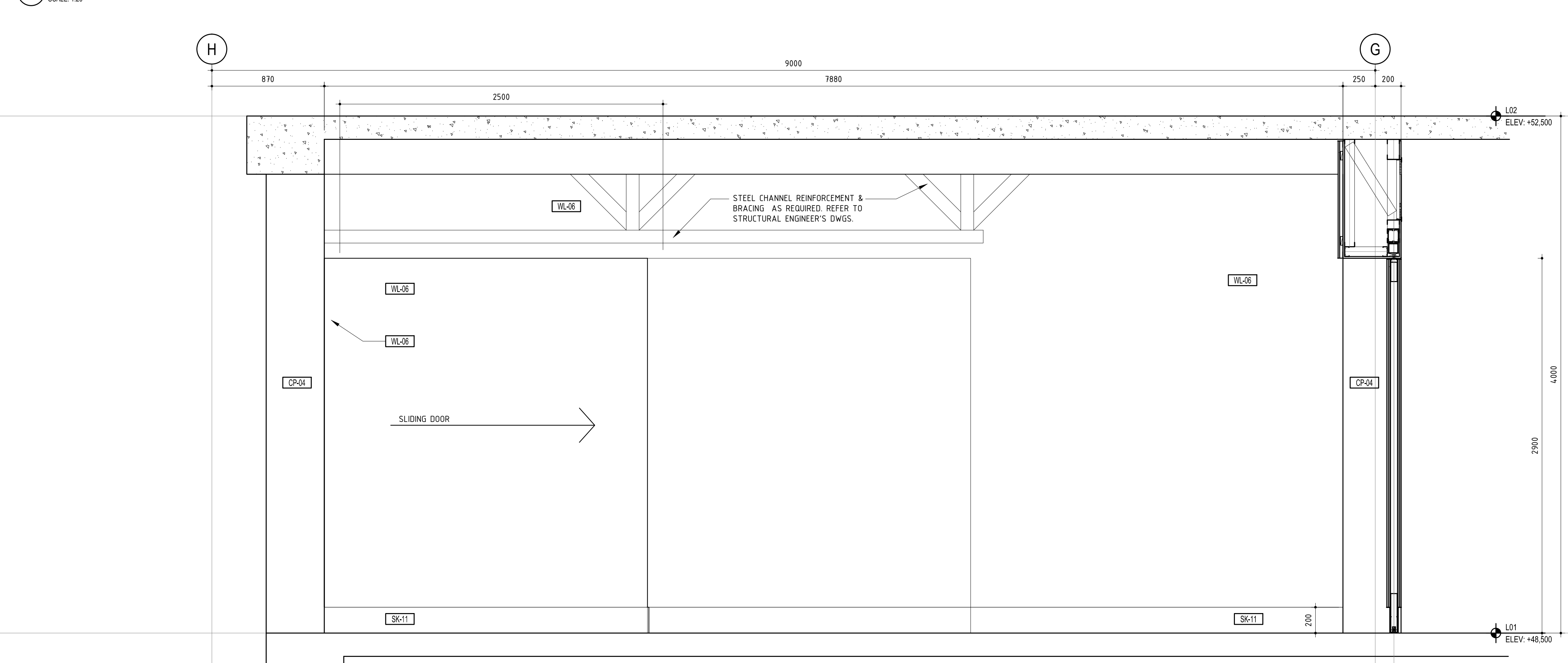
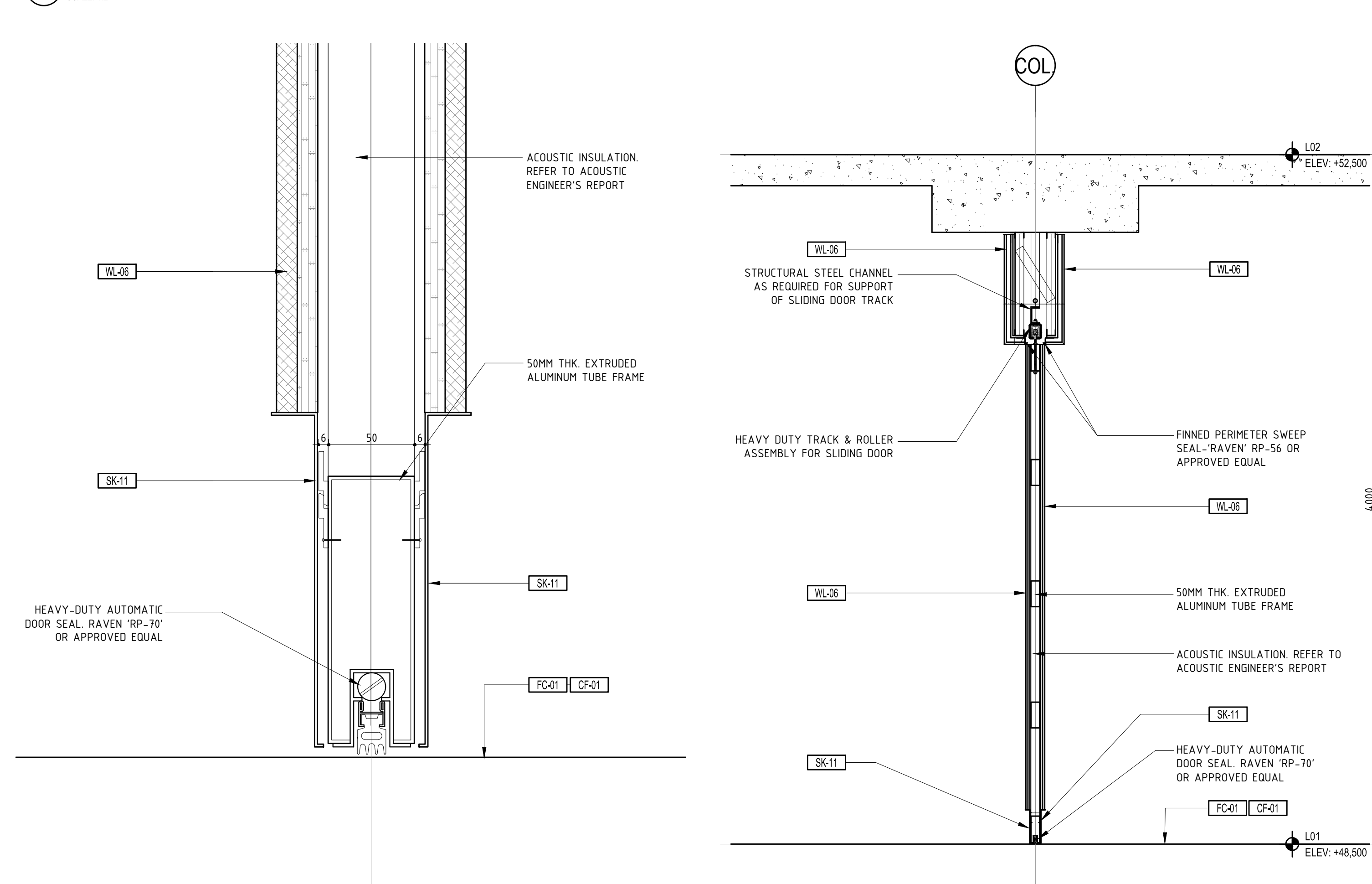
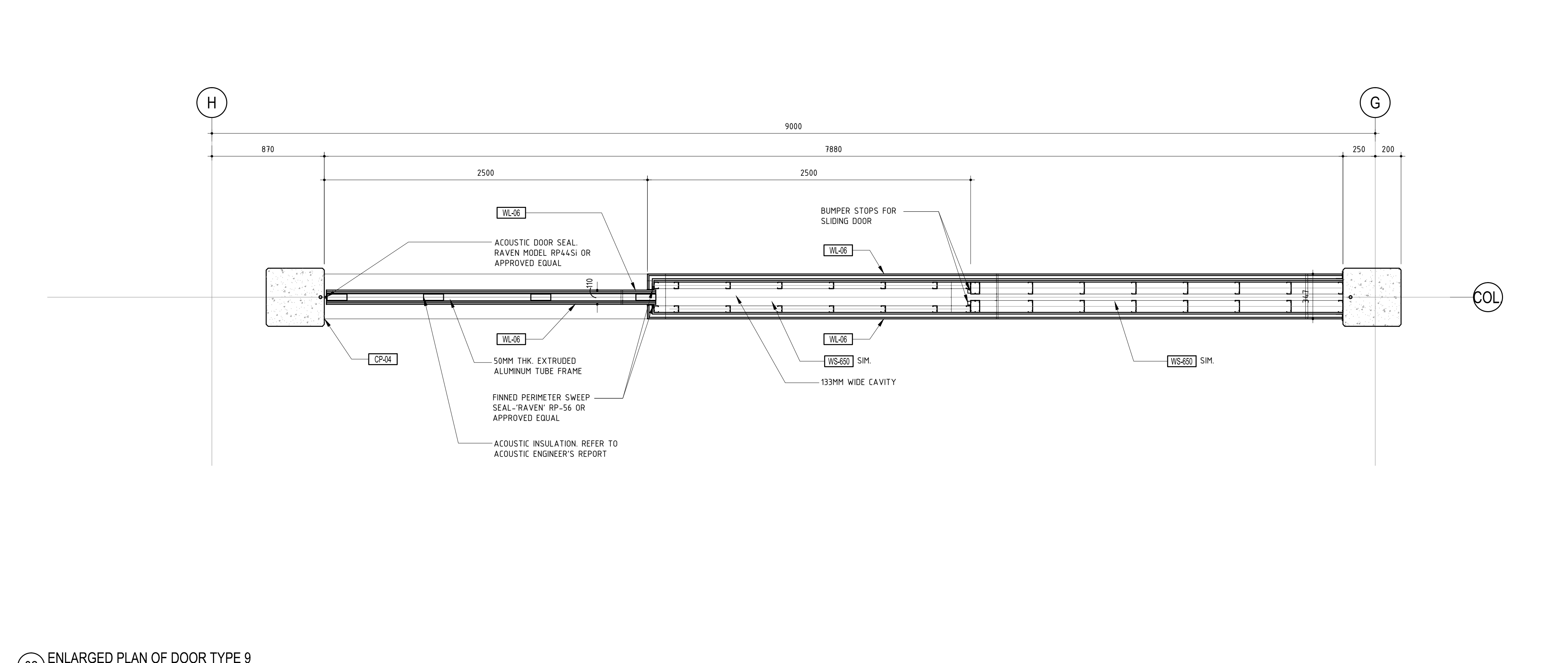
10 NOT USED  
SCALE: 1:2



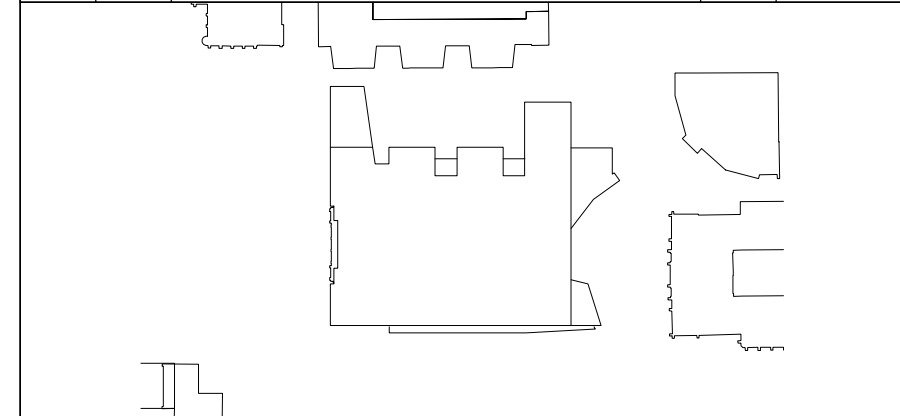
05 PLAN DETAIL OF SLIDING DOOR JAMB  
SCALE: 1:2

04 PLAN DETAIL OF TRANSITION AT WALL PARTITION TYPES  
SCALE: 1:2

03 PLAN DETAIL OF PARTITION & CONC COLUMN INTERFACE  
SCALE: 1:2



Rev	Issue	Revision Description	And	Date
A	SG	CONSTRUCTION ISSUE	-	08.01.14
03	SG	VALUE MANAGEMENT ISSUE	-	28.03.13
02	JC	100% CD - TENDER ISSUE	-	07.08.12
01	JC	90% CD ISSUE	-	10.08.12



**NADAAA**  
 NADAAA  
 1320 Washington Street No. 2  
 Boston, Massachusetts  
 02118 USA  
 Telephone: +1 617 442 8332  
 Facsimile: +1 688 442 1417  
 Email: nada@nadaaa.com

**John Wardle Architects**  
 © 2011 John Wardle Architects  
 Level 10, 180 Russell Street, Melbourne Victoria 3000 Australia  
 Tel: +613 9654 8700 www.johnwardlearchitects.com

Client: University of Melbourne  
 Parkville Campus  
 Project: Faculty of Architecture  
 Building and Planning  
 Title: DOOR DETAILS

Project No.	0913	Scale	1:100
Drawing No.	AR7209	Revision	A
Date	JAN 2014	Dwn	-
FILENAME	####	Co-Ord	-
		Check	-

**FOR CONSTRUCTION**